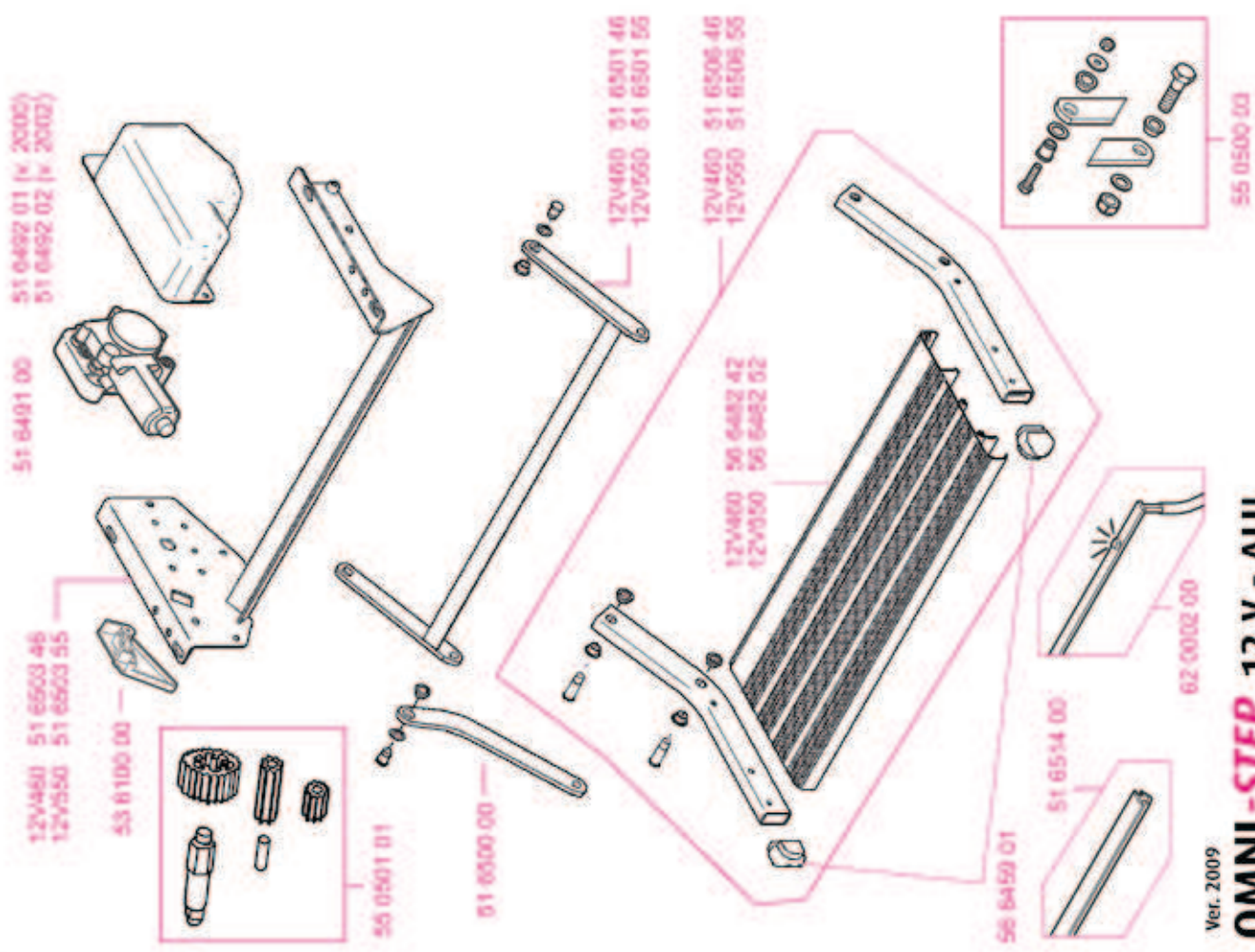


Ver. 2009

OMNI-STEP 12 V



Ver. 2009

OMNI-STEP 12 V - ALU